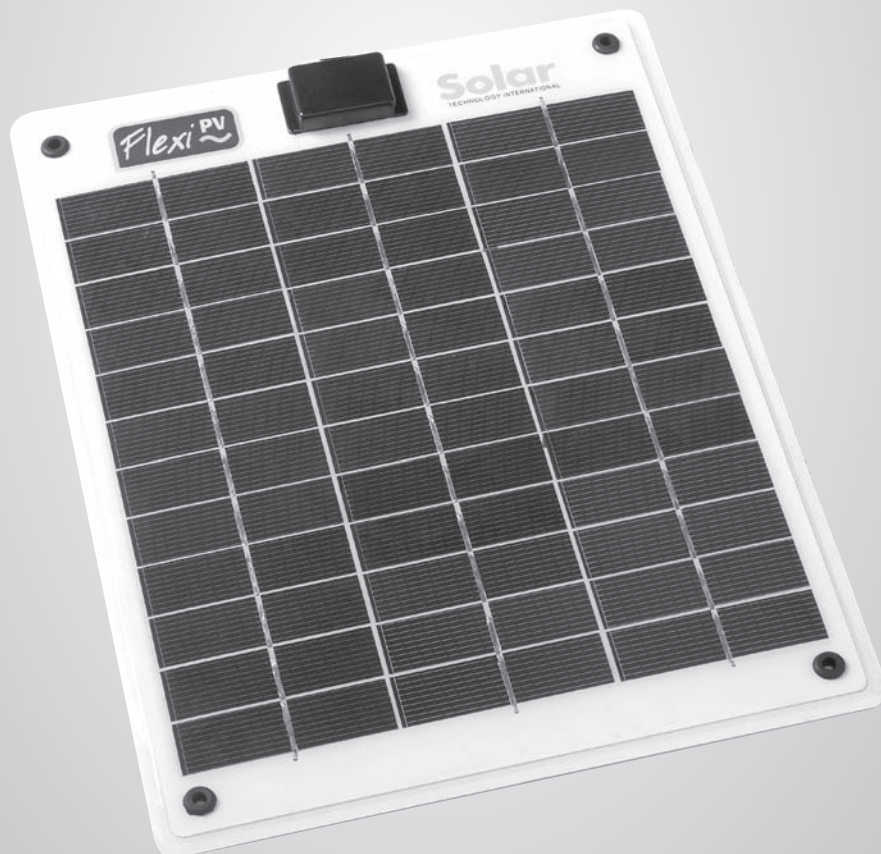


# User Manual

## FLEXIBLE SOLAR PANELS



10wp/20wp/30wp/40wp/60wp/80wp



Models:

SFP010/SFPRT010/SFP020/SFP020MA/SFPRT020/SFP030/SFP030MA/  
SFPRT030/SFP040/SFP040S/SFP040MA/SFP040SMA/SFPRT040/SFPRT040S/  
SFP060/SFPP060/SFP060MA/SFPP060MA/SFPRT060/SFPPRT060/SFP080/  
SFPP080/SFP080MA/SFPP080MA/SFPRT080/SFPPRT080

**IMPORTANT: PLEASE READ BEFORE FIRST USE**

# FLEXI PV KIT CONTENTS

(Letters after item descriptions refer to the picture opposite)

## SFP010 - 10wp Solar Kit

1 x 10wp Flexi PV Panel (a)  
1 x 4m Single Extension cable with crocodile clips (c)  
6 x Terminals (e)

## SFPRT010 - 10wp Complete Solar Roof / Deck Top Kit

1 x 10wp Flexi PV Panel (a)  
1 x 4m Single Extension cable with crocodile clips (c)  
1 x Fuse (d)  
6 x Terminals (e)  
1 x SIKA Flex 291 – 300ml (g)  
1 x Waterproof cable feed gland (h)  
4 x Stainless steel fixing screws (i)  
6 x Nylon self adhesive base and cable ties (j)  
1 x Solar Test Meter (k)

## SFP020 - 20wp Solar Kit

1 x 20wp Flexi PV Panel (b)  
1 x 4m Single Extension cable (c)  
1 x Fuse (d)  
6 x Terminals (e)

## SFP020MA - 20wp Solar Kit including Charge Controller

1 x 20wp Flexi PV Panel (b)  
1 x 4m Single Extension cable (c)  
1 x Fuse (d)  
6 x Terminals (e)  
1 x 8Ah Charge controller (f)

## SFPRT020 - 20wp Complete Solar Roof / Deck Top Kit

1 x 20wp Flexi PV Panel (b)  
1 x 4m Single Extension cable (c)  
1 x Fuse (d)  
6 x Terminals (e)  
1 x 8Ah Charge controller (f)  
1 x SIKA Flex 291 – 300ml (g)  
1 x Waterproof cable feed gland (h)  
4 x Stainless steel fixing screws (i)  
6 x Nylon self adhesive base and cable ties (j)  
1 x Solar Test Meter (k)

## SFP030 - 30wp Solar Kit

1 x 10wp Flexi PV Panel (a)  
1 x 20wp Flexi PV Panel (b)  
1 x 4m Multi-gang Extension Cable (c)  
1 x Fuse (d)  
6 x Terminals (e)

## SFP030MA - Solar Kit including Charge Controller

1 x 10wp Flexi PV Panel (a)  
1 x 20wp Flexi PV Panel (b)  
1 x 4m Multi-gang Extension Cable (c)  
1 x Fuse (d)  
6 x Terminals (e)  
1 x 8Ah Charge controller (f)

## SFPRT030 - 30wp Complete Solar Roof / Deck Top Kit

1 x 10wp Flexi PV Panel (a)  
1 x 20wp Flexi PV Panel (b)  
1 x 4m Multi-gang Extension Cable (c)  
1 x Fuse (d)  
6 x Terminals (e)  
1 x 8Ah Charge controller (f)  
1 x SIKA Flex 291 – 300ml (g)  
1 x Waterproof cable feed gland (h)  
8 x Stainless steel fixing screws (i)  
6 x Nylon self adhesive base and cable ties (j)  
1 x Solar Test Meter (k)

## SFP040 - 40wp Solar Kit

2 x 20wp Flexi PV Panel (b)  
1 x 4m Multi-gang Extension Cable (c)  
1 x Fuse (d)  
6 x Terminals (e)

## SFP040S - 40wp Solar Kit

1 x 40wp Single Flexi PV Panel (not shown)  
1 x 4m Multi-gang Extension Cable (c)  
1 x Fuse (d)  
6 x Terminals (e)

## SFP040MA - 40wp Solar Kit including Charge Controller

2 x 20wp Flexi PV Panel (b)  
1 x 4m Multi-gang Extension Cable (c)  
1 x Fuse (d)  
6 x Terminals (e)  
1 x 8Ah Charge controller (f)

## SFP040SMA - 40wp Solar Kit including Charge Controller

1 x 40wp Single Flexi PV Panel (not shown)  
1 x 4m Multi-gang Extension Cable (c)  
1 x Fuse (d)  
6 x Terminals (e)  
1 x 8Ah Charge controller (f)

## SFPRT040 - 40wp Complete Solar Roof / Deck Top Kit

2 x 20wp Flexi PV Panel (b)  
1 x 4m Multi-gang Extension Cable (c)  
1 x Fuse (d)  
6 x Terminals (e)  
1 x 8Ah Charge controller (f)  
1 x SIKA Flex 291 – 300ml (g)  
1 x Waterproof cable feed gland (h)  
8 x Stainless steel fixing screws (i)  
6 x Nylon self adhesive base and cable ties (j)  
1 x Solar Test Meter (k)

## SFPRT040S - 40wp Complete Solar Roof / Deck Top Kit

1 x 40wp Single Flexi PV Panel (not shown)  
1 x 4m Multi-gang Extension Cable (c)  
1 x Fuse (d)  
6 x Terminals (e)  
1 x 8Ah Charge controller (f)  
1 x SIKA Flex 291 – 300ml (g)  
1 x Waterproof cable feed gland (h)  
8 x Stainless steel fixing screws (i)  
6 x Nylon self adhesive base and cable ties (j)  
1 x Solar Test Meter (k)

## SFP060 - 60wp Solar Kit

3 x 20wp Flexi PV Panel (b)  
1 x 4m Multi-gang Extension Cable (c)  
1 x Fuse (d)  
6 x Terminals (e)

## SFP060 - Premium 60wp Solar Kit

1 x 60wp Flexi Premium Panel; 5m pre-wired cable (a)  
1 x Fuse (d)  
6 x Terminals (e)

## SFP060MA - 60wp Solar Kit including Charge Controller

3 x 20wp Flexi PV Panel (b)  
1 x 4m Multi-gang Extension Cable (c)  
1 x Fuse (d)  
6 x Terminals (e)  
1 x 8Ah Charge controller (f)

## SFP060MA - Premium 60wp Solar Kit including Charge Controller

1 x 60wp Flexi Premium Panel; 5m pre-wired cable (a)  
1 x Fuse (d)  
6 x Terminals (e)  
1 x 8Ah Charge Controller (f)

## SFPRT060 - 60wp Complete Solar Roof / Deck Top Kit

3 x 20wp Flexi PV Panel (b)  
1 x 4m Multi-gang Extension Cable (c)  
1 x Fuse (d)  
6 x Terminals (e)  
1 x 8Ah Charge controller (f)  
1 x SIKA Flex 291 – 300ml (g)  
1 x Waterproof cable feed gland (h)  
12 x Stainless steel fixing screws (i)  
6 x Nylon self adhesive base and cable ties (j)  
1 x Solar Test Meter (k)

## SFPRT060 - Premium 60wp Complete Solar Roof / Deck Top Kit

1 x 60wp Flexi Premium Panel; 5m pre-wired cable (a)  
1 x Fuse (d)  
6 x Terminals (e)  
1 x 8Ah Charge Controller (f)  
1 x Sika 291 – 300ml (g)  
1 x Waterproof cable feed gland (h)  
1 x Solar Test Meter (k)

## SFP080 - 80wp Solar Kit

4 x 20wp Flexi PV Panel (b)  
1 x 4m Multi-gang Extension Cable (c)  
1 x Fuse (d)  
6 x Terminals (e)

## SFP080 - Premium 80wp Solar Kit

1 x 80wp Flexi Premium Panel; 5m pre-wired cable (a)  
1 x Fuse (d)  
6 x Terminals (e)

## SFP080MA - 80wp Solar Kit including Charge Controller

4 x 20wp Flexi PV Panel (b)  
1 x 4m Multi-gang Extension Cable (c)  
1 x Fuse (d)  
6 x Terminals (e)  
1 x 8Ah Charge controller (f)

## SFP080MA - Premium 80wp Solar Kit

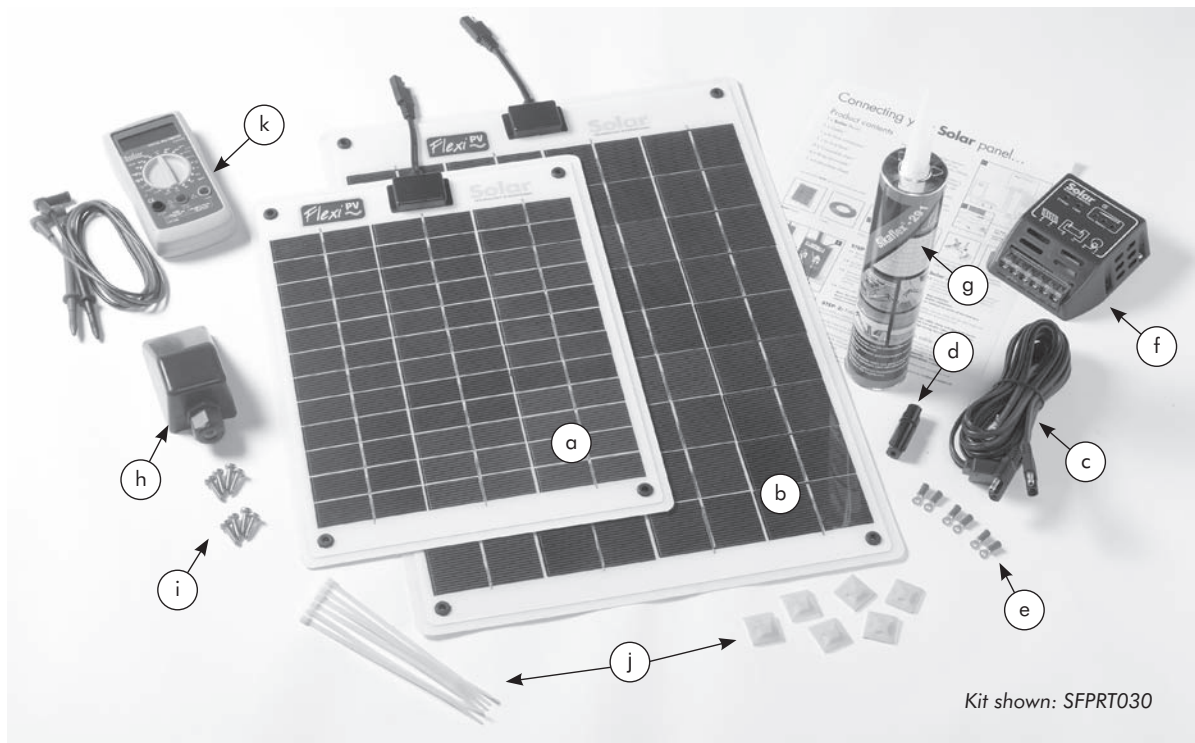
1 x 80wp Flexi Premium Panel; 5m pre-wired cable (a)  
1 x Fuse (d)  
6 x Terminals (e)  
1 x 8Ah Charge Controller (f)

## SFPRT080 - 80wp Complete Solar Roof / Deck Top Kit

4 x 20wp Flexi PV Panel (b)  
1 x 4m Multi-gang Extension Cable (c)  
1 x Fuse (d)  
6 x Terminals (e)  
1 x 8Ah Charge controller (f)  
1 x SIKA Flex 291 – 300ml (g)  
1 x Waterproof cable feed gland (h)  
4 x Stainless steel fixing screws (i)  
1 x Solar Test Meter (k)

## SFPRT080 - Premium 80wp Complete Solar Roof / Deck Top Kit

1 x 80wp Flexi Premium Panel; 5m pre-wired cable (a)  
1 x Fuse (d)  
6 x Terminals (e)  
1 x 8Ah Charge Controller (f)  
1 x Sika 291 – 300ml (g)  
1 x Waterproof cable feed gland (h)  
1 x Solar Test Meter (k)



## PLEASE READ ALL INSTRUCTIONS CAREFULLY BEFORE WORK BEGINS

Please refer to circuit diagram, please at all times observe correct polarity; **POSITIVE = RED cable; NEGATIVE = BLACK cable**

**Note** – we recommend a Solar Technology 4Ah or 8Ah Charge Controller is added to any system (if not included in this kit), if the Flexi PV panel is to be connected to a battery with a capacity smaller than 70Ah if using the SFP010 panel, or a capacity smaller than 140Ah if using the SFP020 and larger panels. A blocking diode is fitted in the junction box of all panels to prevent reverse battery drain.

### Step 1: Positioning the Flexi PV Panel/s

1.1 Select a location that is generally free from shade, has a solid surface and is within 4m of the Charge Controller and/or battery. If the Roof Top Kit has been selected please also refer to Step 3.1.

1.2 If the panel is to be free standing, go to Step 2.

1.3 Ensure all panels can be sited close to one another (if a multi panel system has been selected), and that the connecting cable can be correctly positioned.

**Special Note** - If either Flexi Premium has been selected, both come with pre-wired cable and will generally be used as a single panel.

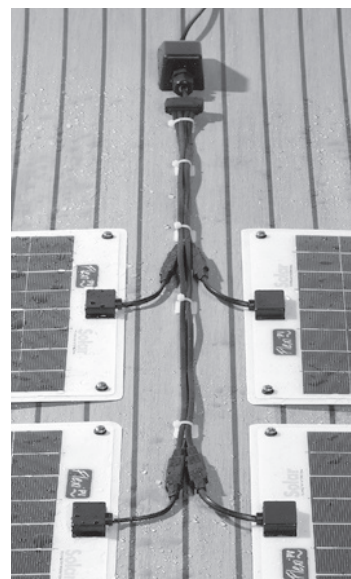
1.4 If fixing the panel using screws through the panel's mounting grommets, ensure the fixings penetrate deep enough to ensure the Flexi PV is held securely.

1.5 If fixing using SIKA Flex bonding agent or similar, mark the area with a pencil line where the panel(s) are to be fixed (SIKA Flex is very strong and instantly bonds, so there is only one chance to get the location correct). Clean the area well and ensure any grease or other film is removed. Now apply a thin line (approx 6mm wide) of SIKA bonding agent or other to the outside edge of the underside (not the solar cell side) of each panel. Carefully place the side with the bonding agent within the positioning pencil lines drawn earlier. Firmly press down on the panel so that the bonding agent squeezes near or on the edge of the panel. (It does not matter if the agent squeezes further but it is not as neat). Repeat this process until all panels are fixed. SIKA Flex 291 generally takes 24 hours to cure. Please check the manufacturer's recommended curing time if using another agent.

1.6 In some cases it may be desirable to both bond and screw the Flexi PV in position. If this method is selected, ensure the holes are pre drilled before bonding the panel(s) and ensure a liberal blob of bonding agent is applied to each hole, ensuring that once the screws are fixed the hole will be sealed (**Note** – once the bonding agent is applied to the holes, time is limited before it "sets off").

2.2 If the Roof Top Kit has been selected, this cable can now be secured using the nylon base and cable ties supplied. Once the cable run has been determined, remove the cover from the sticky pad on the underside of the nylon base and fix it to a clean dry surface underneath the cable run – spacing one base every 30cm. Now secure the cable to the base using the cable ties provided.

### Step 3: Fix the Cable Feed Gland (only if the Roof Top Kit has been selected)



3.1 The Cable Feed Gland is a completely waterproof unit designed to cover a hole that has been drilled to channel the Flexi PV cable from the outside to inside. The location of the Flexi PV panels (as discussed in 1.1) will have been determined, to a certain extent, by the desired location of the cable feed hole. The cable entry point should allow the cable to be easily routed to the Charge Controller (if used) and the battery.

3.2 Now slacken the feed grommet on the Cable Feed Gland to allow the cable to be easily threaded through it and now allow the cable to pass through the drilled hole. (**Note** – if the 10wp kit has been selected, you will need to cut the crocodile clips from the extension cable first.)

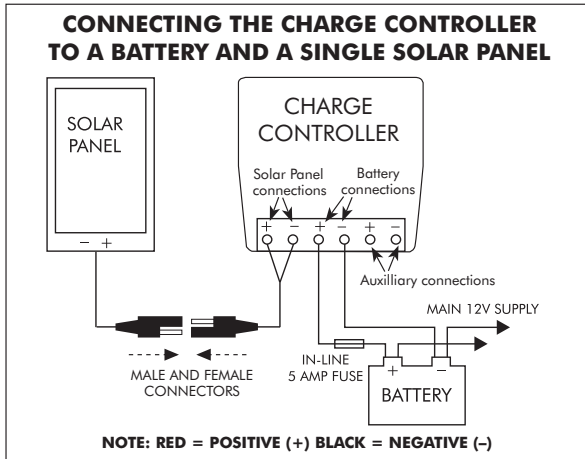
### Step 2: Connect and Secure the Extension Cable

2.1 The Flexi PV is supplied with a single extension cable (if a single panel has been selected), or a multi gang extension cable (spider) if a multi panel system has been selected. Join the trailing cable from the solar panel(s) to the extension cable using the plug/socket fitted to the cable.

### SPECIAL NOTE - FLEXI PREMIUM

**Both Flexi Premium 60wp & 80wp panels have cables pre attached, therefore there is no necessity for the 'spider cables' used on the standard Flexi PV panel.**

- 3.3 Mark the area around where the gland is to be fixed and squeeze a 6mm line of SIKAFlex on the underside of the gland ensuring there are no gaps. Now fix the gland onto the dry, clean surface. SIKAFlex will take 24 hours to cure. Ensure this process is completed at roughly the same time as step 1.5.
- 3.4 Now push the cable from the solar panel(s) through the gland grommet so that it is reasonably taut. The threaded grommet can now be tightened ensuring a perfect seal is made around the cable itself.



#### Step 4: Connecting the Flexi PV Cable to Charge Controller (if supplied)

- 4.1 A Charge Controller will be necessary for SFP020 and above and if using the SFP010 on a battery smaller in capacity than 70Ah.
- 4.2 Position the Charge Controller as close as possible to the battery (must be a dry location).
- 4.3 Measure the distance between your battery terminals and the Charge Controller.
- 4.4 Cut the extension cable so that there is sufficient cable to reach the Charge Controller and then to reach the battery.
- 4.5 Strip back 20mm of the black outer sheath of the cable end to be connected to the Charge Controller.
- 4.6 Strip back 20mm of the black and red inner sheaths to reveal the bare cable. Twist both ends and connect to the terminals G of the Charge Controller, ensuring the positive and negative polarity is observed (either wrap the cable around each terminal G or crimp 2 ring terminals to the cable end).
- 4.7 Using the cut section of cable as described in 4.4, attach one end to the terminals H in the same way as described in 4.6.



**NOTE: RED = POSITIVE (+) BLACK = NEGATIVE (-)**

#### Step 5: Fitting the Fuse (not necessary for SFP010)

- 5.1 Strip back the black outer insulation of the cable 20cm.
- 5.2 Cut the red cable at the halfway point and strip 5mm of the red insulation from both the cut ends. Twist the bare wire ends tightly. Fit into the screw terminals on each of the fuse holder pieces.

#### Step 6: Connecting to the Battery

- 6.1 If the SFP010 has been selected, the crocodile clips can be fixed directly to the terminals of a 12v battery (greater in capacity than 70Ah) ensuring that the correct polarity is observed. If a smaller battery is to be used, either cut the crocodile clips, purchase a Charge Controller and follow Step 4, or self regulate the Flexi PV. This entails checking the battery at regular intervals with a digital voltmeter and when the battery is showing a volt reading of 14v or above, disconnecting the Flexi PV until the battery level has reduced.

- 6.2 Alternatively, for a more permanent connection to the battery, strip the red and black insulation (6cm) from the inner cable ends, twist the bare wire, wrap around the battery terminals and fix into position using your battery clamps. Some clamps have connection screws fitted, in which case, if the supplied ring terminals have been crimped onto the wire ends, simply attach using the battery clamp screws.
- 6.3 When connecting to a battery always observe correct polarity.

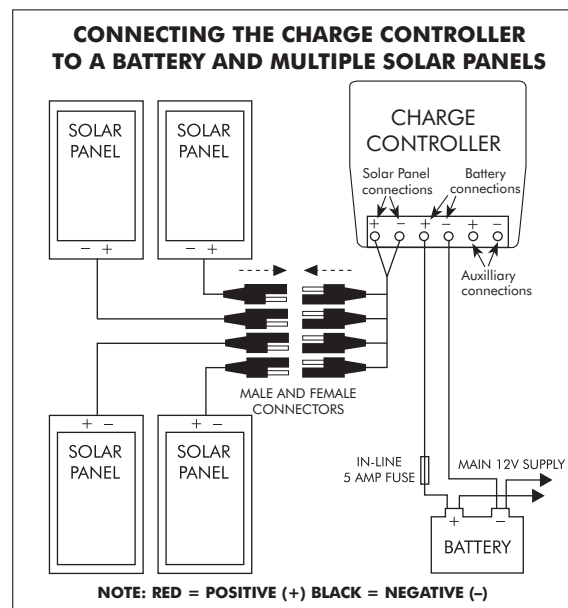
#### Step 7: Testing the System

- 7.1 If the selected Flexi PV kit has been supplied with a Charge Controller, this product comes with its own instructions and LED indicators will confirm the system is working correctly.
- 7.2 If a Roof/Decktop Kit has been selected that includes a Solar Test Meter, the performance of the panel and the Charge Controller can be accurately checked.

## OPTIONS

#### Expanding the Flexi PV System

- 8.1 Any Flexi PV panel can be expanded by up to three panels (if a single Flexi PV panel was selected in the first instance). To do this purchase the required kit plus an additional multi gang cable (spider) – see your local retailer or [www.solartechology.co.uk](http://www.solartechology.co.uk) for more information. In all cases the 8Ah Charge Controller (if originally supplied) will accept up to 4 panels (80W combined).



#### Connecting an inverter into the system

- 9.1 Should you require your solar system to power 240V appliances, you will need to connect an inverter. Select an inverter power (measured in watts) that is most appropriate for the power of your appliances (also measured in watts). The inverter will be ideally positioned reasonably close to the battery. Most inverters come with pre-fixed cable so fix the loose end directly onto the battery terminals (positive to positive / negative to negative) – contact 01684 774000 for more information.

#### Adding a second battery

- 10.1 If a second battery is used, it can be connected to the Charge Controller, using terminals I, by means of an additional piece of 2-core, 1mm cable (not supplied). As in step 4.6 above, attach the other cable to the second battery, not forgetting to add a fuse on the positive line as described in step 5 above. Power from the Charge Controller will be diverted to the second battery only when the primary battery is fully charged.